



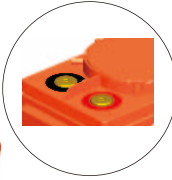
PLC-Pure Lead Long Cycle Life

PLC 150FT (12V135Ah)

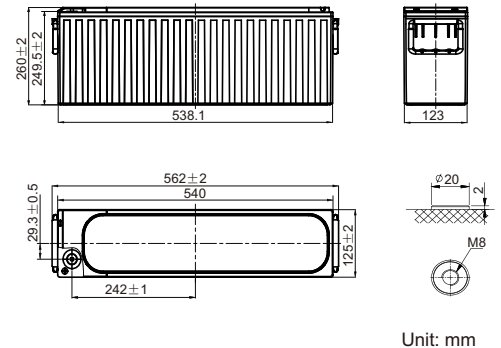


Specifications

Rated Voltage	12V	
Nominal Capacity	C ₁₀ , 1.80V/cell	135Ah
	C ₂₀ , 1.80V/cell	140Ah
Dimension	Length	562±2mm (22.1 inches)
	Width	125±2mm (4.92 inches)
	Container Height	260±2mm (10.2 inches)
	Total Height	260±2mm (10.2 inches)
Approx. Weight	46.1 Kg (101.7 lbs)	
Terminal	M8	
Container Material	PC-ABS flame retardant jar and cover to UL94 V-0	
Rated Capacity (25°C)	140.0 Ah	(20hr, 7.00A, 1.80V/cell)
	135.0 Ah	(10hr, 13.5A, 1.80V/cell)
	124.0 Ah	(5hr, 24.8A, 1.75V/cell)
	114.3 Ah	(3hr, 38.1A, 1.75V/cell)
	96.1 Ah	(1hr, 96.1A, 1.60V/cell)
Max. Discharge Current	1400A	
Internal Resistance (25°C)	Approx. 3.6mΩ(Fully charged)	
Operating Temp. Range	Discharge	-40 ~ 65°C (-40 ~ 149°F)
	Charge	0 ~ 54°C (32 ~ 129°F)
	Storage	-20 ~ 40°C (-4 ~ 104°F)
Nominal Operating Temp. Range	25±3°C (77±5°F)	
Max. Charging Current(25°C)	40.5A	
Charge voltage(25°C)	Float	13.62V
	Temp. Coefficient	-3mV/cell/°C
	Equalization(Cycle)	14.1~14.4V
Effect of temp. to Capacity	40°C (104°F)	103%
	25°C (77°F)	100%
	0°C (32°F)	86%
Self Discharge	PIC series batteries can be stored up to 24 months at 25°C(77°F), For higher temperatures the time interval will be shorter. Battery needs to be given a freshening charge when the OCV approach 2.10V/cell or when the maximum storage time is reached, whichever occurs first.	



Layout



Unit: mm

Constant Current Discharge (Amperes) at 25 °C (77° F)

F.V/Time	10min	15min	20min	30min	45min	1h	2h	3h	4h	5h	8h	10h	20h
1.85V/cell	204.5	187.0	165.4	134.5	104.7	87.0	51.8	37.0	29.1	24.1	16.2	13.4	6.91
1.80V/cell	230.9	202.7	176.8	139.5	107.9	89.2	52.5	37.6	29.6	24.6	16.4	13.5	7.00
1.75V/cell	250.3	214.5	185.6	145.6	112.2	91.3	53.1	38.1	29.9	24.8	16.5	13.6	7.24
1.70V/cell	271.0	228.5	193.9	150.3	114.5	92.9	53.8	38.5	30.2	24.9	16.6	13.7	7.27
1.67V/cell	285.8	238.7	200.0	155.0	116.8	94.6	54.4	38.7	30.3	25.0	16.7	13.7	7.30
1.60V/cell	299.2	247.5	206.1	159.8	119.0	96.1	55.1	39.1	30.7	25.3	16.8	13.8	7.32

Constant Power Discharge (Watts/cell) at 25 °C (77° F)

F.V/Time	10min	15min	20min	30min	45min	1h	2h	3h	4h	5h	8h	10h	20h
1.85V/cell	388.9	357.8	318.4	261.8	206.7	172.4	103.5	74.3	58.5	48.6	32.9	27.0	14.5
1.80V/cell	432.4	382.6	336.8	269.9	212.0	175.9	104.5	75.1	59.3	49.4	33.1	27.2	14.6
1.75V/cell	463.9	401.1	350.6	279.4	218.8	178.9	105.2	75.7	59.7	49.6	33.2	27.3	14.7
1.70V/cell	496.0	423.3	362.7	285.9	222.0	181.1	105.8	76.1	60.0	49.8	33.4	27.3	14.7
1.67V/cell	515.0	436.5	371.2	293.7	225.7	183.6	106.8	76.5	60.2	50.0	33.4	27.4	14.7
1.60V/cell	527.8	444.5	376.0	298.8	227.2	184.8	107.3	76.6	60.4	50.0	33.6	27.3	14.7



PLC-Pure Lead Long Cycle Life

PLC 150FT (12V135Ah)



Applications

- Unstable Grid System
- UPS System
- Renewable Energy System

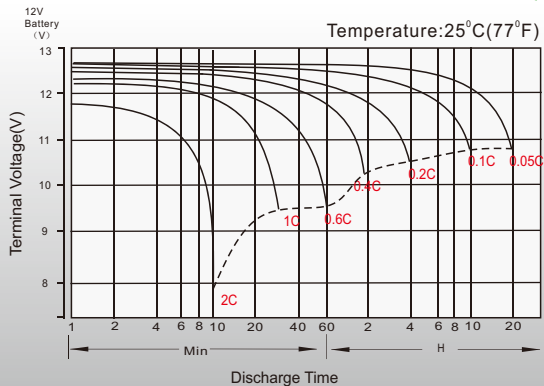
General Features

- 15 years design life(25°C)
- Outstanding high rate charge capability with Thin Plate Pure Lead technology
- High-rate performance, high energy density
- Virgin pure lead plates / copper alloy
- High quality AGM separators minimize electrical resistance to allow high current discharging properties.

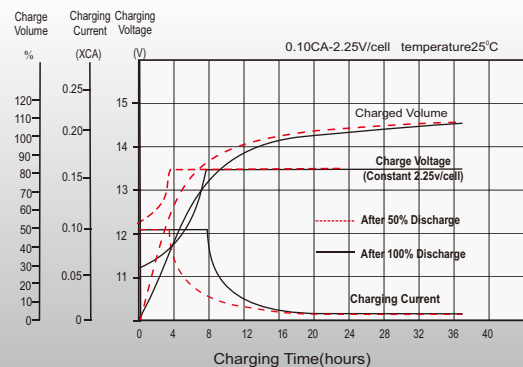
Standards

- Compliance with IEC 60896 standards
- UL, CE Certified
- Manufactured in Leoch@IATF16949, OHSAS 18001, ISO 9001 and ISO 14001 certified production facilities

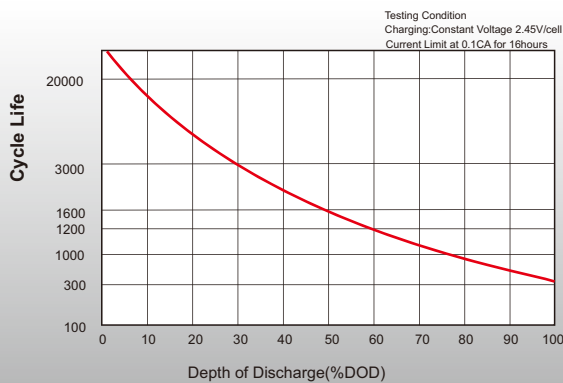
Discharge Characteristics



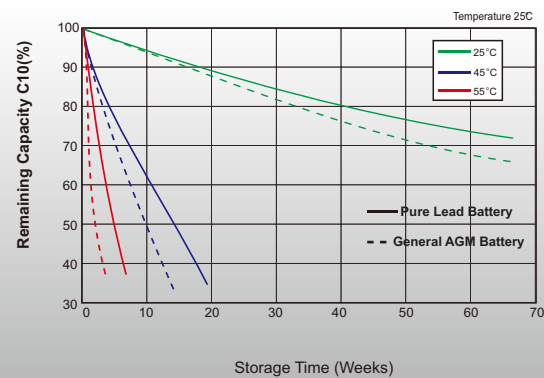
Float Charging Characteristics



Cycle Life vs. Depth of Discharge



Self-discharge Characteristics



Sales Offices Worldwide

China Sales Office

5th Floor, Xinbaohui Bldg., Nanhai Blvd.,
Nanshan, Shenzhen, China. 518052
Tel: +86-755-86036060 (100 lines)
Fax: +86-755-26067269
E-mail: export@leoch.com

HongKong Sales Office

Workshop C, 33/F, TML Tower, No. 3 Hoi Shing Road,
Tsuen Wan, New Territories, Hong Kong
Tel: +852 35786666
Fax: +44 1452 690125
E-mail: sales.hk@leoch.com

Singapore Sales Office

No. 1 Tech Park Crescent,
Singapore 638131
Tel: +65 68636078
Fax: +65 6863 6079
Email: sales.sg@leoch.com

Australia Sales Office

2 /29 Tarlington Place, Smithfield. NSW 2164
Australia
Tel: 02 9756 0950
E-mail: sales.au@leoch.com

North America Sales Office

19751 Descartes
Foothill Ranch, CA 92610, USA
Tel: 949-588-5853
Fax: 949-588-5966
E-mail: sales@leoch.us
Http://www.leoch.us

UK Sales Office

9B Wheatstone Court. Waterwells, Business Park,
Gloucester, GL2-2AQ, UK United Kingdom
Tel: +44(0) 1452 729428 / 1452 729696
Fax: +44 1452 690125
E-mail: Sales.Europe@leoch.com
Http://www.leoch.eu

EMEA Sales Office

1 Deligiorgi St., 121 31 Athens,
Greece
Tel: +30 210 5760318 (2 lines)
E-mail: support_EMEA@leoch.com
Http://www.leoch.eu

India Sales Office

Shed no.A-53(b), 2nd Stage of Peenya Industrial Area,
Bangalore North Taluk, Bangalore-560058, India
Tel: +91-80-23440018/23440019
Fax: +91-80-23440017
E-mail: indiasales@leoch.com



[Http://www.leoch.com](http://www.leoch.com)

© 2021 LEOCH. All rights reserved.

Trademarks and logos are the property of LEOCH and its affiliates unless otherwise noted.
Subject to revisions without prior notice.

Publication No.: LB-PLC150FT-PD-EN-V2.1-202101